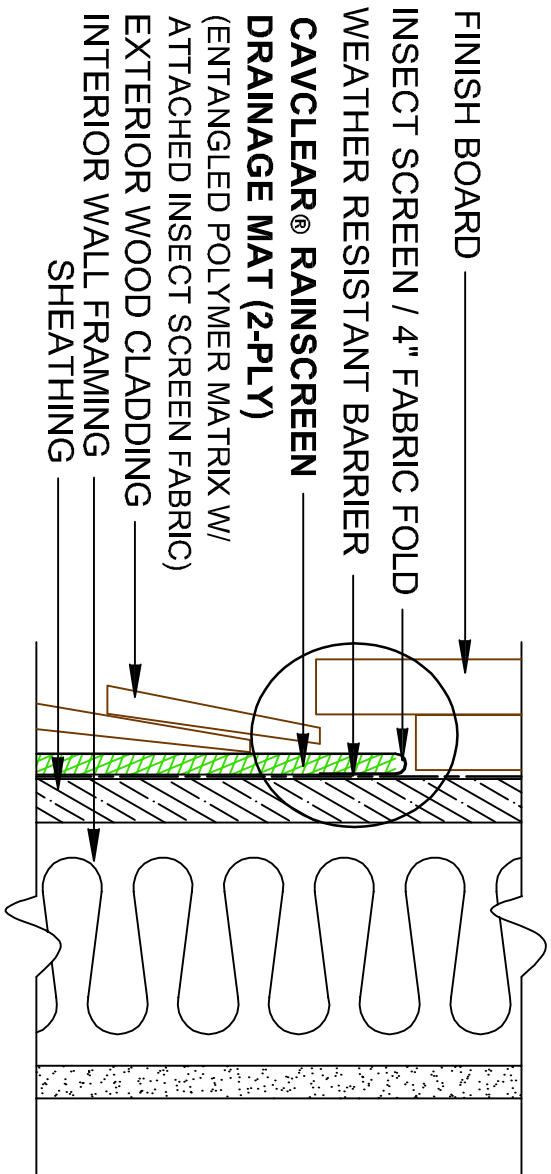
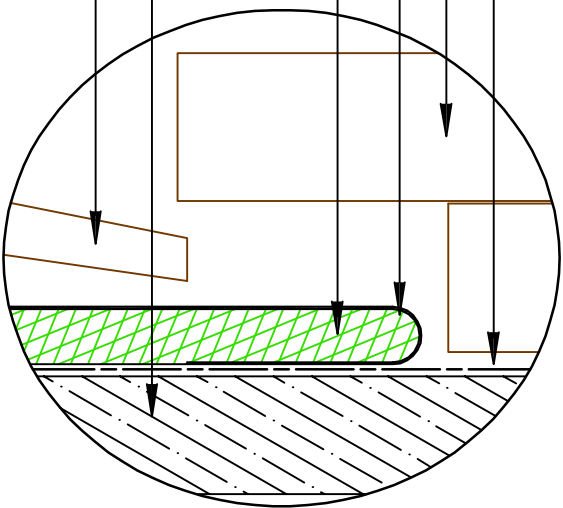


# WOOD CLADDING DETAIL (TOP OF WALL)



- FINISH BOARD
- INSECT SCREEN / 4" FABRIC FOLD
- WEATHER RESISTANT BARRIER
- CAVCLEAR® RAINSCREEN**
- DRAINAGE MAT (2-PLY)**  
(ENTANGLED POLYMER MATRIX W/  
ATTACHED INSECT SCREEN FABRIC)
- EXTERIOR WOOD CLADDING
- INTERIOR WALL FRAMING
- SHEATHING



- WEATHER RESISTANT BARRIER
- FINISH BOARD
- INSECT SCREEN / 4" FABRIC FOLD
- CAVCLEAR® RAINSCREEN**
- DRAINAGE MAT (2-PLY)**  
(ENTANGLED POLYMER MATRIX W/  
ATTACHED INSECT SCREEN FABRIC)
- SHEATHING
- EXTERIOR WOOD CLADDING

NOTE: CavClear® Rainscreen Drainage Mat (Green) should be installed facing the weather resistant barrier, with the insect screen fabric against the wood cladding (facing the exterior wall).

The details and graphics as displayed here are for the express purpose of illustrating basic wall design concepts incorporating CavClear® brand products.



701 Second Street - Hudson WI 54016  
p: 715-381-5773 w: [www.cavclear.com](http://www.cavclear.com)